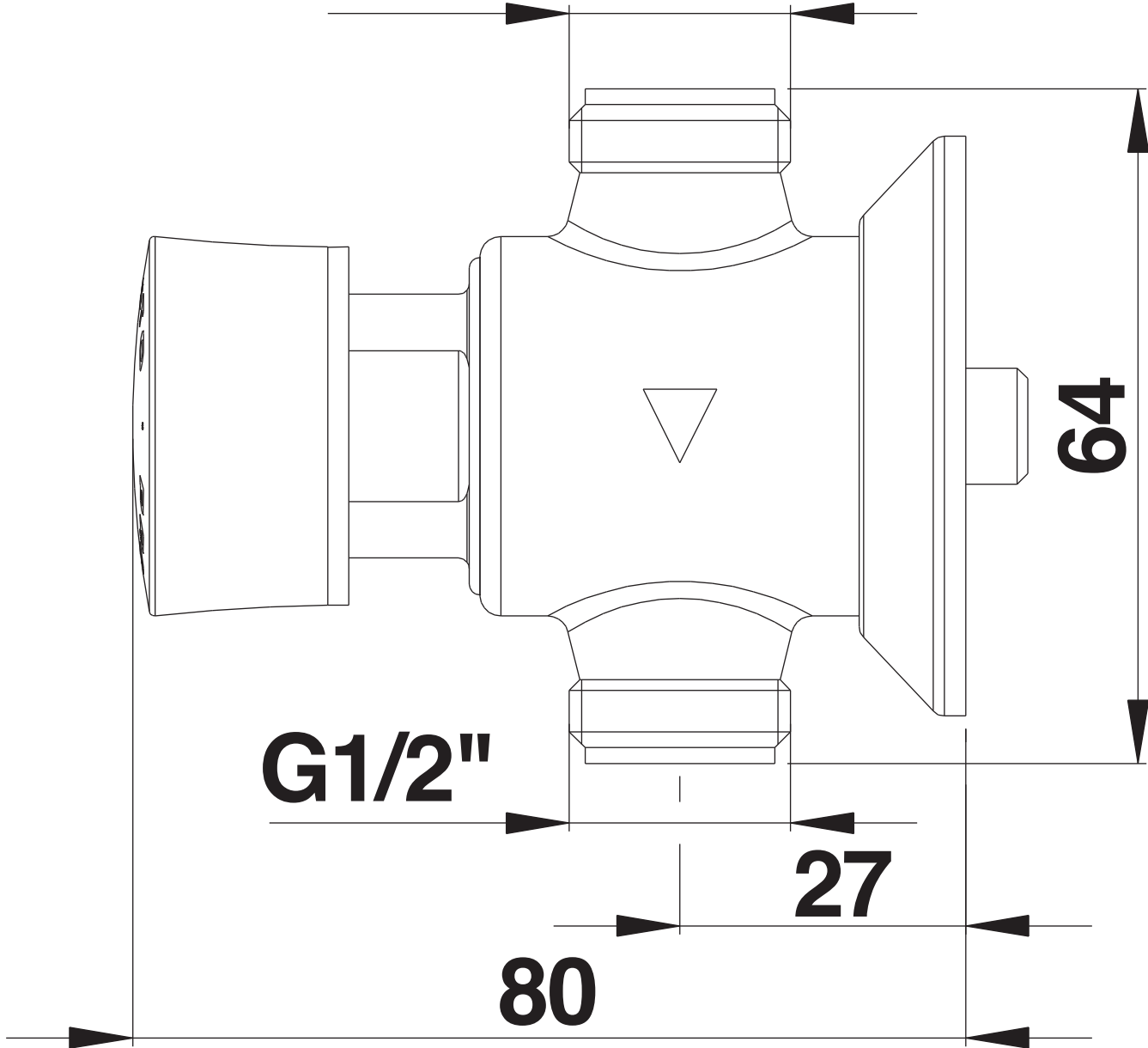


G1/2"



G1/2"

27

80