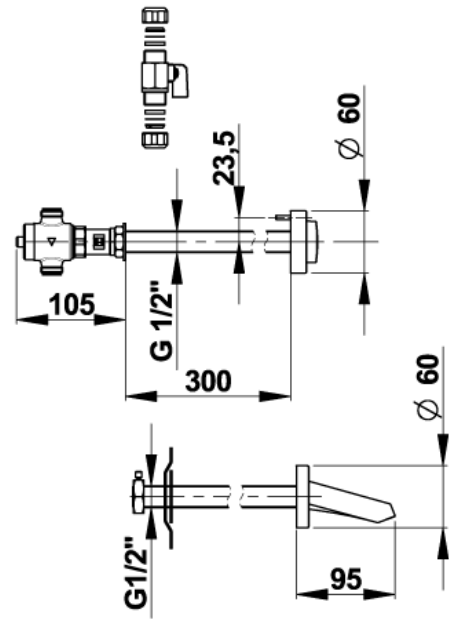


Range : Single deck-mounted tap

Ref : 31661 - Cross-partition kit PRESTO 512 S with short spout



> Working pressure :

- 1 to 5 bar

> Flow :

- 6 l/min at 3 bar - 4-position flow adjustment device
- Anti-water-hammering design

> Flow time :

- 15 seconds (± 5 sec.)

> Hydraulic supply :

- In-line water inlet
- M G 1/2" Inlet and outlet
- Cold water

> Thermal resistance :

- Resistant to a temperature of 75°C for 30 minute thermal shock

> Security :

- Patented anti-blocking "S" system to avoid the water to flow continuously

> Delivered with :

- 1 Cross-partition control (200 to 300 mm thick)
- 1 Short wall spout (Non-rotating fixing) 87 mm
- 1 Closing tap with S anti-blocking system
- 1 stop valve M 1/2" (15x21) / M 1/2" (15x21) with quick couplings (12x14 mm)
- Instruction manual

> Standards & approvals :

- Brass body in accordance with EN 1982, EN 12164, EN 12156
- Molded chrome-plated body in accordance with EN 12540
- 200-hour neutral salt spray resistant (NSS) in accordance with ISO 9227

This document is not contractual. We reserve the right to modify the characteristics of our products without notice in advance. All our brands and models are registered trade marks.

