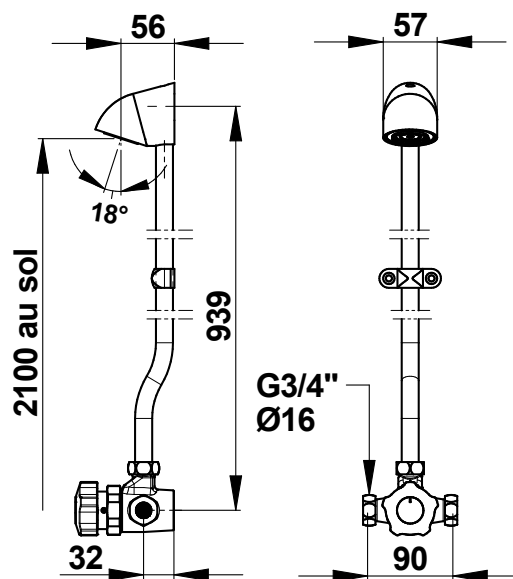


**Range:** PRESTO ALPA - Timed flow mixer tap for shower

**Ref:** 35921 - Ready-to-install PRESTO ALPA mixer tap



#### > Working pressure :

- 1 to 5 bar

#### > Flow :

- 6 l/min with integrated flow regulator
- Anti-water-hammering device

#### > Flow time :

- 30 seconds (- 10 / + 5 seconds)

#### > Hydraulic supply :

- M G 3/4" (20x27)
- On ALPA NF /IB mixer tap with NF check valves

#### > Material and colour finish :

- Black polyacetal knob

#### > Thermal resistance :

- Resistant to a temperature of 75°C for 30-minute-thermal-shock

#### > Security :

- Adjustable tamper-proof temperature limiter to prevent scalding

#### > Delivered with :

- 1 fixed shower head with directionnal grid and antiscaling spikes, tube and collar
- 2 Filter gaskets
- 2 Union nuts 3/4" (20x27)

#### > Standards & approvals :

- Brass body in accordance with EN 1982, EN 12164, EN 12156
- Molded chrome-plated body in accordance with EN 12540
- 200-hour neutral salt spray resistant (NSS) in accordance with ISO 9227

