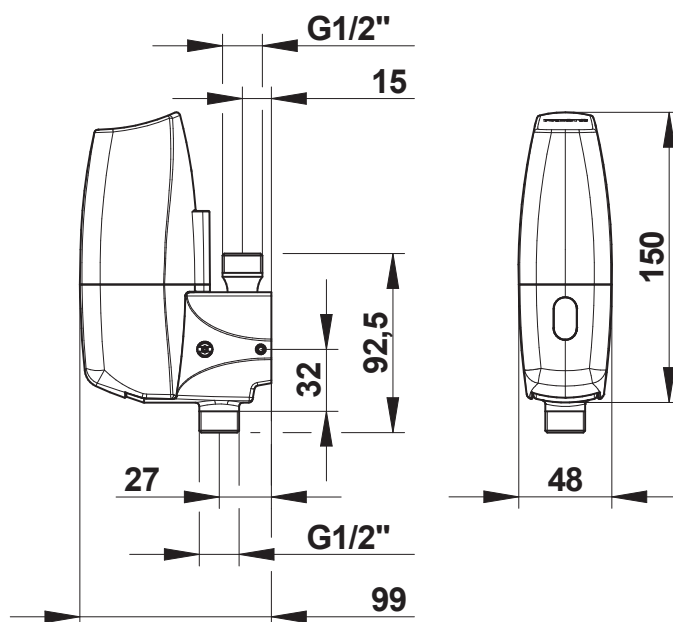


**Range:** Urinal sensor taps

**Ref:** 55370 - PRESTO SENSAO 8400 N - In line water inlet



> **Working pressure:**

- 1 to 5 bar

> **Flow:**

- 8 l/min at 1 bar with integrated flow limiter

> **Flow time:**

- 6 seconds

> **Hydraulic supply:**

- In-line water inlet, M G 1/2" (15x21) stop valve

> **Power supply:**

- 6 V Lithium battery type CRP2 integrated

> **Material and colour finish:**

- Chrome-plated brass body
- Chrome-plated molded metal covers

> **Security:**

- The solenoid valve closes automatically if the battery runs out or the sensor is damaged.
- Automatic flushing every 24 hours after the last use

> **Delivered with:**

- Suitable gaskets
- Instruction manual

> **Standards & approvals:**

- Molded chrome-plated body in accordance with EN 12540
- 200-hour neutral salt spray resistant (NSS) in accordance with ISO 9227
- Brass body and components in accordance with EN 1982, EN 12164, EN 12165

